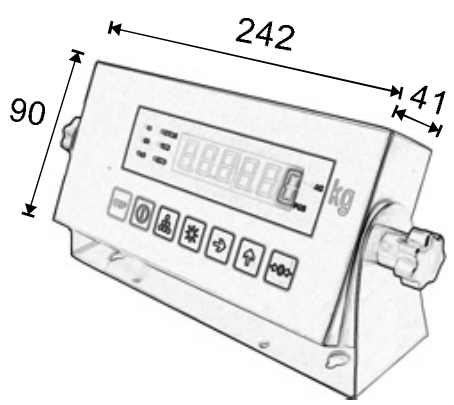


Specifications

Sizes



- ◆ S.S housing
- ◆ Hi-Lo-Ok function for check weigh
- ◆ Low battery indication and automatic power-off
- ◆ Accuracy can be increased ten times
 - ◆ Display: Red LED
 - ◆ Drive up to 4 load cells
- ◆ Programmable zero tracking
- ◆ Programmable digital filter
- ◆ Selectable kg and lb unit
- ◆ RS232 serial interface for printer or computer
 - ◆ Animal weighing
 - ◆ Hold function
- ◆ Counting function



www.hiweigh.com
 Email: hiweigh@gmail.com hiweigh@hotmail.com
 Fax: 0086-21-24281385
 Add: No.2278, Zhaotai Road, Minhang District, Shanghai 201112, China