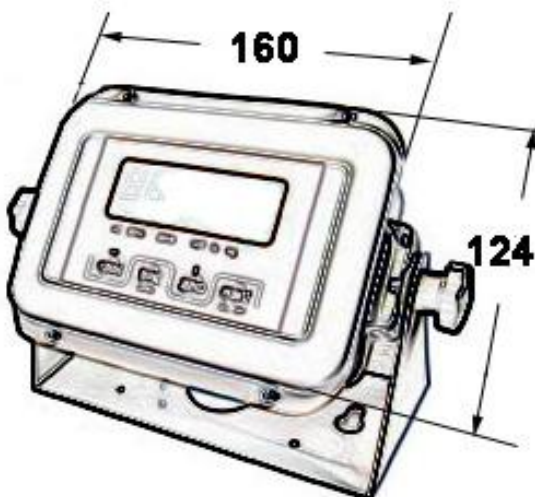


X4C X4W



### Sizes



### Specifications

- ◆ Stainless steel housing
- ◆ Zero position auto-tracking
- ◆ Full range deducting-tare
- ◆ Drive up to 4 load cells
- ◆ Over load indicating
- ◆ Simple counting
- ◆ Two kinds of calibration
- ◆ Extension display (i.e. internal code display function)
- ◆ RS-232C output (optional)
- ◆ Bill-printing output (optional)
- ◆ LED or LCD display
- ◆ Weight unit selecting and converting (kg or lb)
- ◆ X4W with IP67 protection

